



AUTOMATIC NUMBER PLATE RECOGNITION

VISPRO-ANPR is a high-performance ANPR camera designed to automatically capture and recognize vehicle license plates in real time. Using high-resolution imaging and advanced onboard processing, the camera accurately detects plate numbers and transmits the data to the IX-VISPRO platform for automated vehicle access, tracking, and event logging.

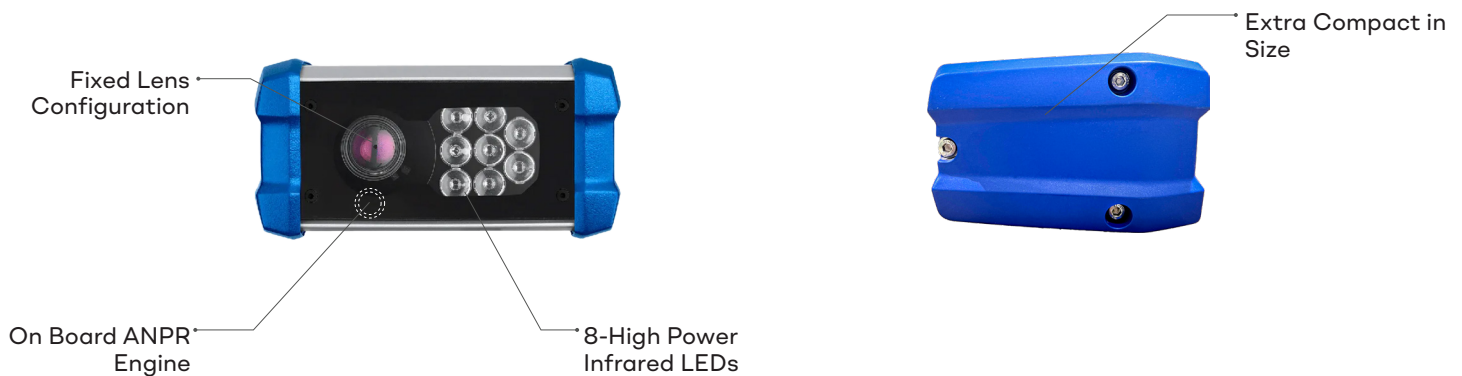


KEY FEATURES

- ◆ 4MP/2MP high-resolution ANPR imaging with advanced low-light technology for clear plate capture even in near-dark conditions
- ◆ 140 dB WDR ensures accurate plate recognition against strong headlights, glare, and backlight
- ◆ Embedded deep-learning engine for vehicle and license plate detection, supporting cars, motorcycles, and complex plate formats
- ◆ On-board OCR processing enabling standalone plate recognition without external servers
- ◆ High-accuracy performance with $\geq 98\%$ recognition rate and $\geq 99\%$ capture rate under recommended installation conditions
- ◆ Integrated IR colour illuminator with up to 50 m range for reliable nighttime license plate visibility
- ◆ Rugged IP67 and IK10 housing designed for harsh outdoor environments and vandal-prone locations
- ◆ Power-over-Ethernet (PoE/PoE+) support for simplified installation and reduced cabling

TECHNICAL FEATURES

VISPRO-ANPRT



VISPRO-ANPRH



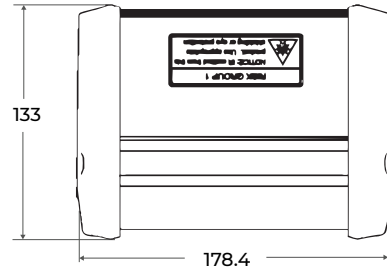
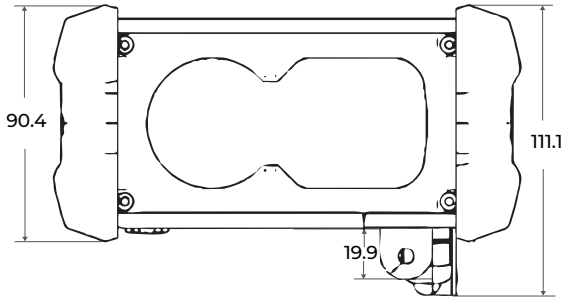
TECHNICAL SPECIFICATIONS

	Specification	VISPRO-ANPRT	VISPRO-ANPRH
GENERAL	Camera	2 Megapixels Color	4 Megapixels Color
	Illuminator	8 High Power White LEDs	Infrared illumination with wavelength 850 nm and 50 m range
	Lens	Fixed Lens: 4 mm, 8 mm, 12 mm according to site geometry	VariFocal: 2.8-12 mm
	Protocols	HTTP, HTTPS, FTP, SFTP, TCP/IP	HTTP, HTTPS, FTP, SFTP, TCP/IP, NTP, RTSP, SMTP, UDP, SSL/TLS, WebSocket
	On-Board Storage	MicroSD up to 128 GB	MicroSD up to 1 TB
	Interface	Ethernet (10/100/1000 M), RJ45	
	Material	Diecast + Aluminium	Alluminium Alloy
	OCR	Onboard	
MECHANICAL	Dimension (HWD)	178 mm x 90 mm x 133 mm	Ø144 mm x 347 mm
	Weight	1.5 kg	1.95 kg
ELECTRICAL	Power	25 W	14.28 W
	Digital I/O	2x Optoisolated Inputs + 2x Relay Outputs	2x Inputs + 2x Outputs
	Power Supply Voltage	PoE+, 24 VDC	PoE, 12 VDC or POE (802.3 at Type 2)
ENVIRONMENTAL	Operating Temperature	-40°C to +60°C	
	Vandal Protection	-	IK10
	Operating Humidity	Up to 95% (non-condensing)	
	IP Rating	IP67	
	Storage Temperature	-40°C to +60°C	-30°C to +60°C
	Usage Environment	Outdoor	

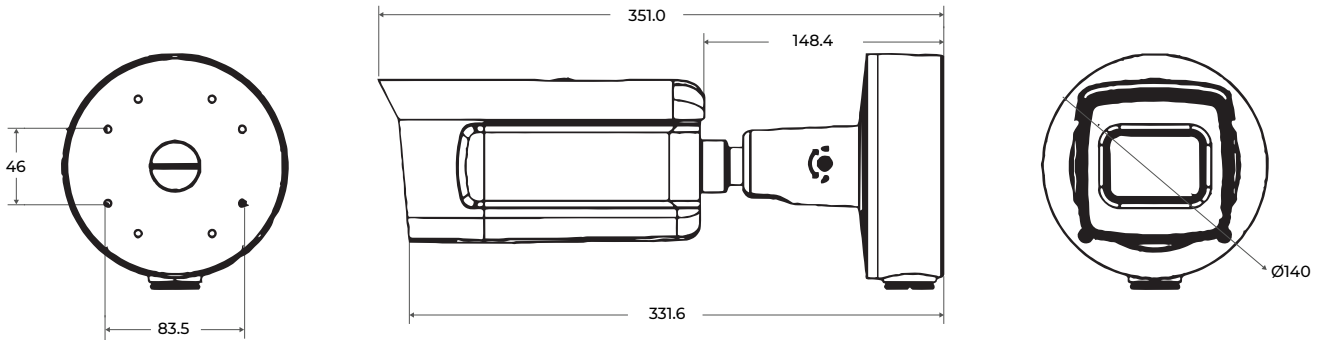


DIMENSION DRAWING

VISPRO-ANPRT



VISPRO-ANPRH



Note: all units are in mm

ORDERING INFO

VISPRO-ANPRT : ANPR CAMERA WITH HIGH ACCURACY, ONBOARD OCR

VISPRO-ANPRH : ANPR CAMERA WITH ON BOARD OCR

ADDITIONAL ADD-ONS

VISPRO-ANPRH-VPM : Vertical Pole Mount for VISPRO ANPRH

