



VISITOR KIOSK - FLOOR MOUNT

VISPRO-KIOSK-FM is a floor-mounted self-registration kiosk designed for facility entrances and reception areas. It enables both pre-registered and walk-in visitors to independently complete the check-in process without assistance.

Through an intuitive interface, visitors can register their details, verify their identity, and complete check-in using facial recognition or QR code scanning. Upon successful registration, the VISPRO system issues secure access credentials, allowing visitors to enter the facility using Face ID authentication or a QR code sent via email.



- ◆ Large 23.6-inch curved FHD touch display designed for high-visibility, high-traffic self-service registration in lobby environments
- ◆ Integrated intelligent binocular camera supporting body liveness detection and visitor photo capture, with a recognition distance of 0.25 - 1 m
- ◆ Built-in QR code scanner for pre-registered visitor check-in, and rapid credential validation
- ◆ Floor-mounted, freestanding chassis engineered for stability, durability, and continuous operation in public entrance areas, yet designed for easy relocation and flexible placement
- ◆ Base-mounted LED illumination enhancing kiosk visibility and guiding visitors during interaction
- ◆ Built-in thermal printer with automatic cutter for fast issuance of visitor passes, instructions, and queue tickets

TECHNICAL FEATURES



GENERAL



Operating System

Android OS



CPU

Rockchip RK3399, Six-Core
64bit Super CPU



Display

23.6-inch Curved Touch Screen,
1080x1920 FHD, R1800 Curvature,
300 cd/m² Brightness



Scanner

Support 1D, 2D Codes



Speaker

2 W



Camera

Integrated Dual Colour &
Infrared Camera, Intelligent Face
Recognition, Liveness Detection



Memory & Storage

4GB RAM + 16GB ROM



Printer

Thermal Printer with Automatic
Cutter, Support 58/72mm OD
Paper Roll



Communication Ports

Ethernet (10M/100M/1000M),
Wi-Fi (2.4 GHz /5GHz)

MECHANICAL



Dimension (L x W x H)

490 mm x 595 mm x 1720 mm



Weight

42 Kg



Installation

Floor-Mounted

ELECTRICAL



Power Source

AC 100-240 VAC



Power Consumption

61 W



ESD Protection

IEC 61000-4-2/2008

ENVIRONMENTAL



Operating Temperature

-10°C to 60°C



Storage Temperature

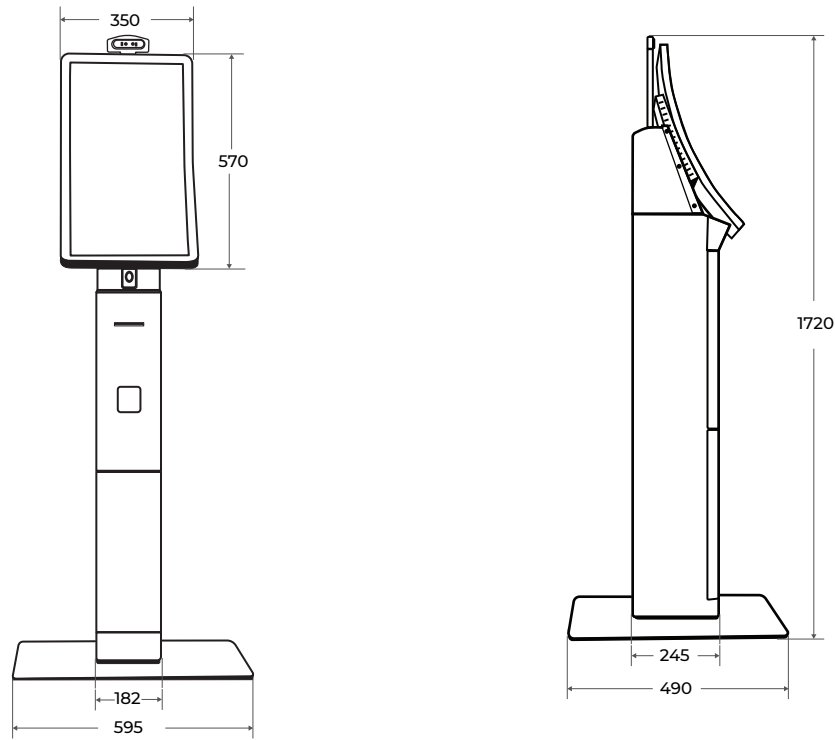
-20°C to 70°C



Usage Environment

Indoor





Note: all units are in mm

ORDERING INFO

VISPRO-KIOSK-FM : VISITOR KIOSK - FLOOR MOUNT

