



MEETING ROOM TERMINAL

VISPRO-MRT is a dedicated meeting room access terminal that simplifies check-in for scheduled meetings. It displays current and upcoming meetings for the associated room and allows visitors or hosts to access the meeting using Face ID or QR code verification. The interactive touchscreen provides clear guidance and real-time host notifications for a smooth and secure meeting access experience.



- ◆ Binocular 2-megapixel camera with a high-speed recognition engine, delivering 99.98% accuracy and verifying users within 0.5–3 meters in just 200–300 ms for smooth, queue-free access
- ◆ Unified authentication platform combining facial recognition, QR code scanning, and RFID card reading in a single terminal
- ◆ Integrated access-control relay enabling direct operation of electronic locks and door controllers without external modules
- ◆ Slim aluminum-alloy construction designed for long-term indoor durability and a modern meeting-room aesthetic
- ◆ Microsoft Outlook synchronization that automatically displays live meeting schedules, organizers, and participant details

TECHNICAL FEATURES



GENERAL



Operating System

Android 11



Communication

RJ45 Ethernet & Wi-Fi (2.4 GHz)



Storage & Memory

32 GB ROM, 2 GB RAM



Camera

2 MP WDR RGB + 2 MP Infrared



Display

10.1-inch Touch screen, 800×1280 Resolution



Wiegand Interface

Wiegand 26 / 34 Support

MECHANICAL



Dimension (L x W x H)

242 mm x 17 mm x 226 mm



Material

Aluminum Alloy



Installation

Wall-mounted

ELECTRICAL



Operating Voltage

12 V DC



Operating Current

3 A



Power Source

AC - DC Power Adpter (included)

ENVIRONMENTAL



Operating Temperature

-25°C to 75°C



Operating Humidity

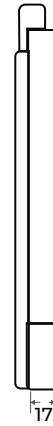
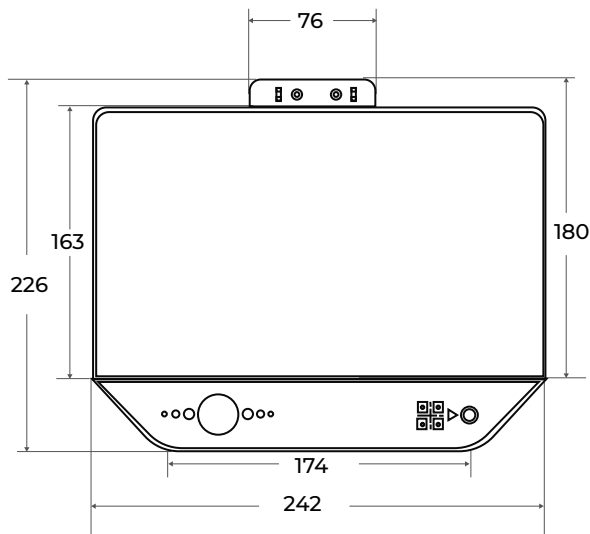
5% to 93% RH (non-condensing)



Usage Environment

Indoor





Note: all units are in mm

ORDERING INFO

VISPRO-MRT : MEETING ROOM TERMINAL

