



OPERATOR ASSISTED REGISTRATION STATION

VISPRO-OAS is a compact, operator-assisted visitor registration station designed for reception desks and facility checkpoints. Featuring dual screens for operator and visitor interaction, it enables efficient visitor registration, identity verification, and access management. The system supports both pre-registered and walk-in visitors, providing a smooth onboarding process with secure visitor badge issuance and access logging.




- ◆ 10.1-inch Dual high-definition displays engineered for coordinated operator–visitor interaction, enabling simultaneous guidance, data entry, and verification
- ◆ 8MP WDR + infrared dual-camera module designed for precise facial capture and identity validation under mixed lighting conditions
- ◆ High-speed recognition engine capable of verifying users within a 0.5–3 meter range in 200–300 ms to maintain fast reception throughput
- ◆ Integrated QR reader optimized for rapid credential scanning during both pre-registered and walk-in visitor processing
- ◆ Inbuilt Optical Character Recognition (OCR) engine to automatically extract visitor information from government-issued IDs, passports, or national IDs, enabling faster and more accurate visitor registration

TECHNICAL FEATURES




GENERAL

 **Operating System**
Android 9

 **Communication**
RJ45 Ethernet & Wi-Fi
(2.4/5 GHz)

 **Storage & Memory**
64 GB ROM, 4 GB RAM

 **Camera**
8MP WDR + 8MP Infrared

 **Display**
Primary: 10.1-inch, 800x1280 Resolution
Secondary: 10.1-inch Touch Screen, 800x1200 Resolution

 **Wiegand Interface**
Wiegand 26 / 34 Support

MECHANICAL

 **Dimension (L x W x H)**
250 mm x 160 mm x 350 mm

 **Material**
Aluminum Alloy

 **Installation**
Desktop


ELECTRICAL


 **Operating Voltage**
12 V DC

 **Operating Current**
3 A

 **Power Source**
External AC - DC Adpter (included)

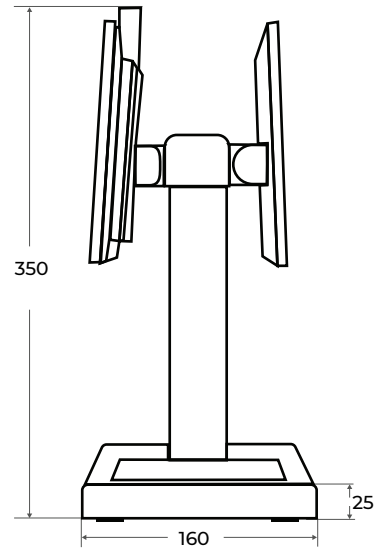
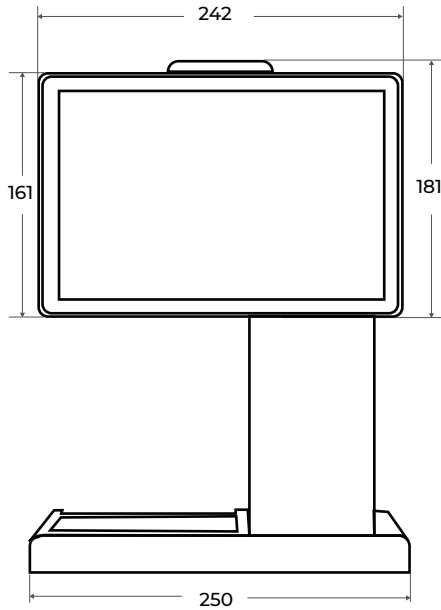
ENVIRONMENTAL

 **Operating Temperature**
-25°C to 75°C

 **Operating Humidity**
5% to 93% RH (non- condensable)

 **Usage Environment**
Indoor





Note: all units are in mm

ORDERING INFO

VISPRO-OAS : OPERATOR ASSISTED REGISTRATION STATION

